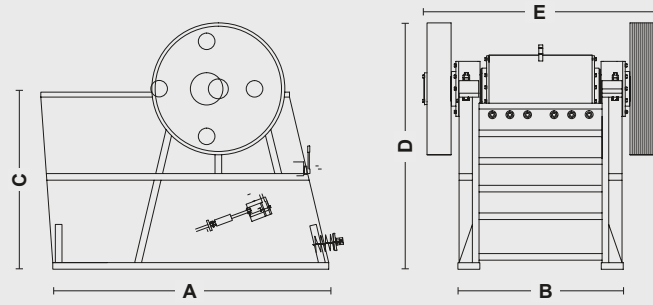




JAW CRUSHERS

**JCR-P Leo**

0806 / 1075 / 1290 / 1512 / 1813



**JAW CRUSHERS**

**JCR-P/S Leo**

**CR**

Model	TPH	kW	Kg	A	B	C	D	E
<b>JCR-P Leo 0806</b>	50 - 150	55	12500	2120	1260	1590	2240	1820
<b>JCR-P Leo 1075</b>	90 - 220	75	24800	2600	1590	2000	2770	2300
<b>JCR-P Leo 1290</b>	120 - 400	132	35000	3070	1820	2460	3400	2600
<b>JCR-P Leo 1512</b>	200 - 900	160	53000	3500	2160	2650	3700	3110
<b>JCR-P Leo 1813</b>	350 - 950	200	83000	4150	2490	2685	3735	3500
<b>JCR-S Leo 1530</b>	90 - 120	75	14800	2000	2010	1270	1930	2540
<b>JCR-S Leo 1840</b>	120 - 200	132	25500	2560	2390	1520	2284	3000

Production    
 Power    
 Weight

	JCR-P Leo 0806	JCR-P Leo 1075	JCR-P Leo 1290	JCR-P Leo 1512	JCR-P Leo 1813	JCR-S Leo 1530	JCR-S Leo 1840
80	70-90	-	-	-	-	70-90	90-120
100	75-105	-	-	-	-	90-120	120-150
125	95-125	120-140	-	-	-	120-140	150-180
150	120-150	130-160	150-200	-	-	140-170	180-220
175		150-180	240-250	300-400	-	-	-
200		160-220	250-300	350-450	400-500	-	-
225			310-350	450-600	500-700	-	-
260			350-400	550-700	650-850	-	-
300				700-900	750-950	-	-

**PROVEN HIGH RELIABILITY**  
 Robustly built for better performance due to its quality build arrangement

**NO-CLOG**  
ANTI CLOG SYSTEM



Carretera Alamús, s/n, E-25221  
Els Alamús, Lleida, Spain.

+34 973 199 163

info@arja.com



www.arja.com

- Single-effect primary and secondary jaw crushers with welded steel chassis of great thickness and reinforced on all its faces.
- They are designed to crush any type of aggregates in an effective way, even the hardest and most abrasive stones.
- Secondary jaw crushers are equipped with a wider and lower crushing chamber than conventional primary ones.
- Mobile jaw support mounted on 4 double row roller bearings and cast iron flywheels.
- Hydraulic adjustment system.
- Cast steel rod of 85 to 100 mm.
- Centred and balanced crankshaft mounted on SKF/FAG bearings.
- Lubrication system on both sides of the jaw crusher.
- Jaws made of manganese steel alloy (14/16%).

